



MXQ, LLC.

9203 Zaka Rd. - Houston, TX 77064

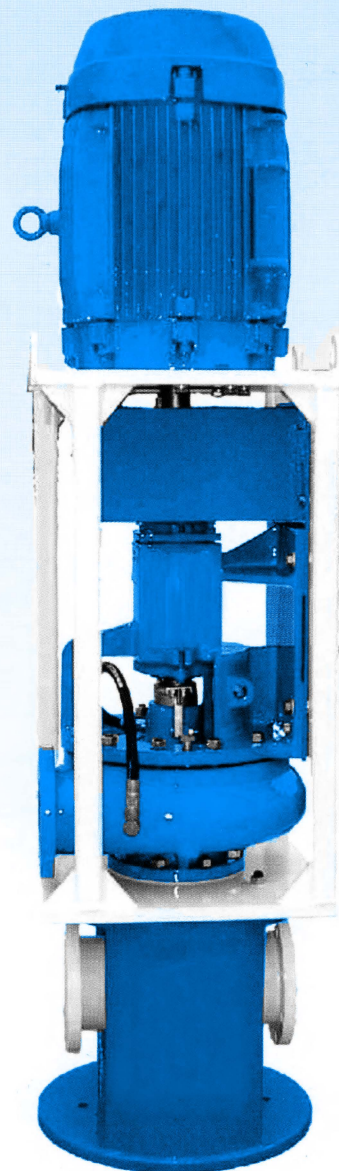
LD Vertical Pumping Package

Available in 20HP - 150HP at 1200, 1800 & 3600 RPM
Sizes: 3X2X13 through 8X6X14

Features:

- Uses Standard TEFC or Explosion Proof Motors
- Pump and Motor can be removed individually for easy maintenance

ISO
9001:2015
Certified



*With special
Heavy Duty
mechanical seal*

Give Us a Call !

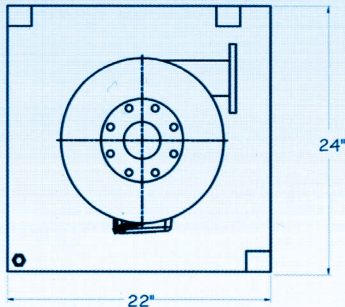
281-376-3500
sales@mxq-usa.com
www.mxq-usa.com



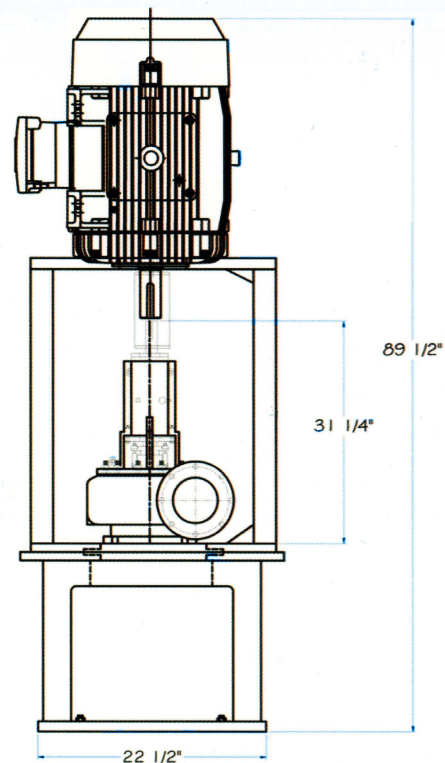
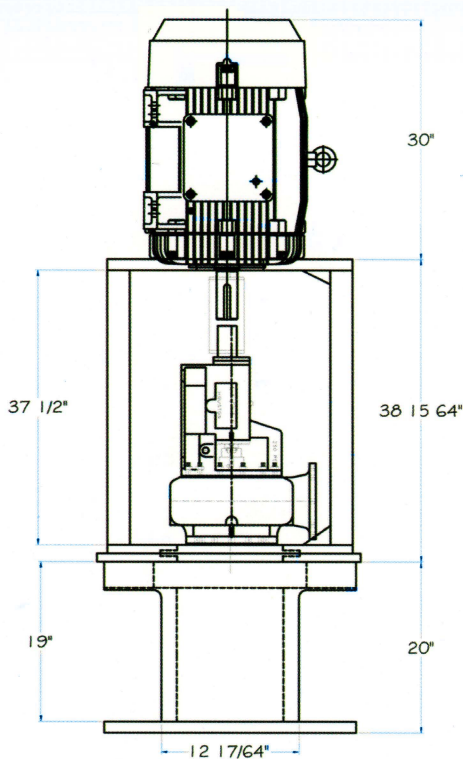
MXQ, LLC.

9203 Zaka Rd. - Houston, TX 77064

LD Vertical Pumping Package



- For use in Agriculture, Municipal Water Plants, Sewage Plants, Waste Disposal, and Drilling Rig Service
- Free standing Unit; pump or motor can be removed for servicing
- Uses standard C-Face motors; no special manufacture motors
- Base comes with Tee or Elbow for easy suction line connection
- Small foot print, takes up less floor space, 28"X 28"
- Available in sizes 3X2X13 to 8X6X14
- Mechanical seal for no leakage



- Pressure to 200 PSI, volume to 2500GPM
- 20-150HP TEFC or Explosion Proof Motors
- Suction lift up to 25 feet

Give Us a Call !

281-376-3500
sales@mxq-usa.com
www.mxq-usa.com